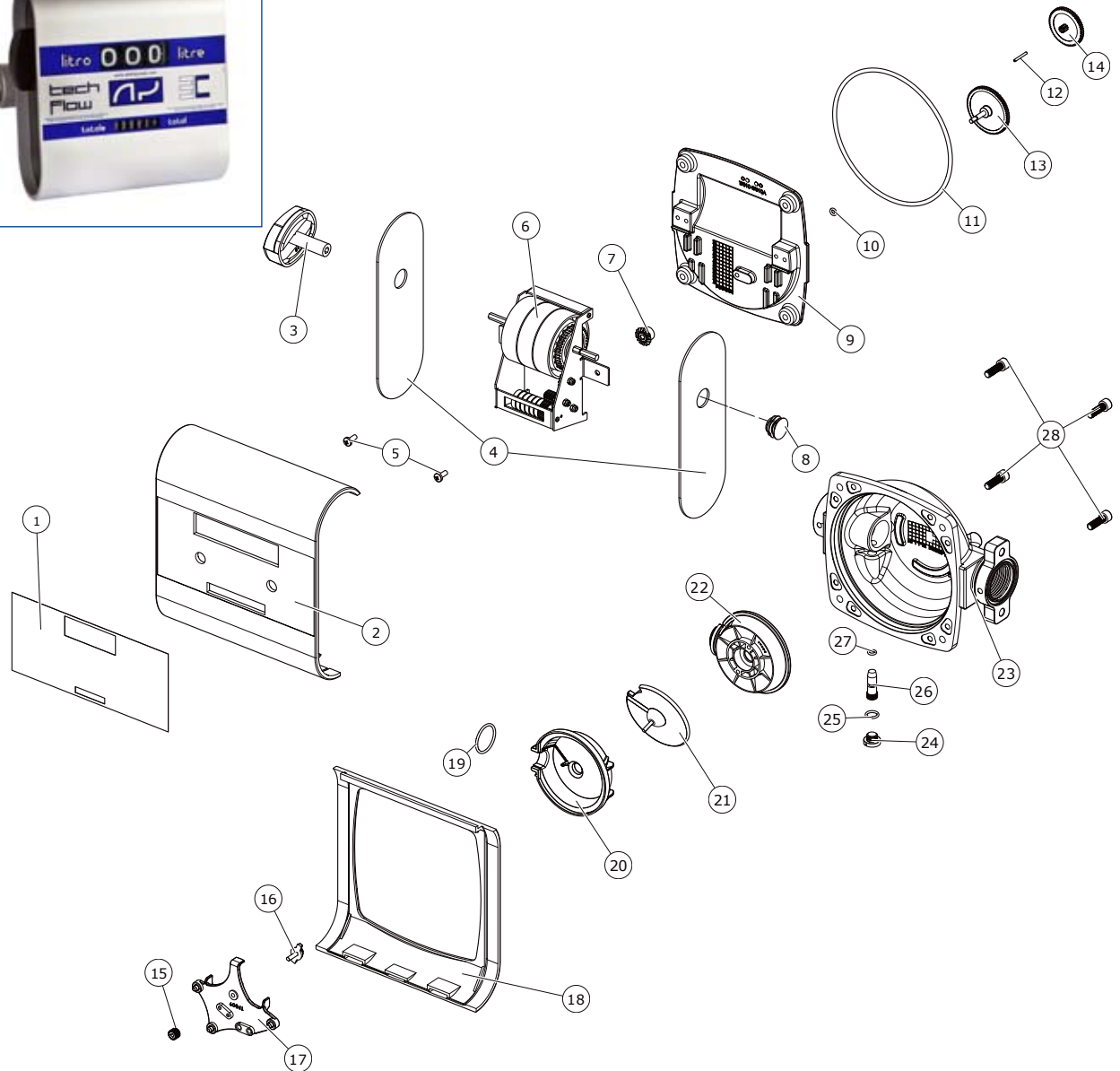


LIST OF PART

POS.	DESCRIPTION	REF	QTY
1	FACEPLATE 3 DIGITS	MA013	1
2	COVER UPPER SIDE	TF013	1
3	RESET KNOB	TF012	1
4	COVER SIDE WITH HOLE	TF015	2
5	SCREW TC CROSS M4X8 TRILOBE UNI8112	80901439100	2
6	REGISTER VICTOR 3 DIGITS	TF023	1
7	BEVEL GEAR VICTOR	TF027	1
8	PLASTIC CAP RESET	60302000	1
9	METER FLANGE 3 DIGITS	TF010	1
10	O- RING 2015 NBR	11010040200	1
11	O- RING 4500 NBR	OR002	1
12	PIN Ø2 X 17,8 G5	6051800000	1
13	GEAR WHEEL Ø45	TF007	1
14	DOUBLE GEAR WHEEL Ø36	TF006	1
15	CYLINDRICAL GEAR WHEEL	TF004	1
16	PIN WITH LEVER	TF008	1
17	GEAR HOLDER	TF009	1
18	COVER LOWER SIDE	TF014	1
19	O- RING Ø24X2 NBR	OR001	1
20	LOWER MEASURING CHAMBER	TF002	1
21	REVOLVING DISK	TF001	1
22	UPPER MEASURING CHAMBER	TF003	1
23	BODY TECH FLOW METER	TF011	1
24	CALIBRATION CAP	TF018	1
25	O- RING 108 NBR	11010100200	1
26	CALIBRATION SCREW	TF019	1
27	O- RING 2018 NBR	11010050200	1
28	SCREW TCCE M6X20 TRILOBE DIN 7500 E	VT001	4



→ FLOW METER T.FLOW 3C



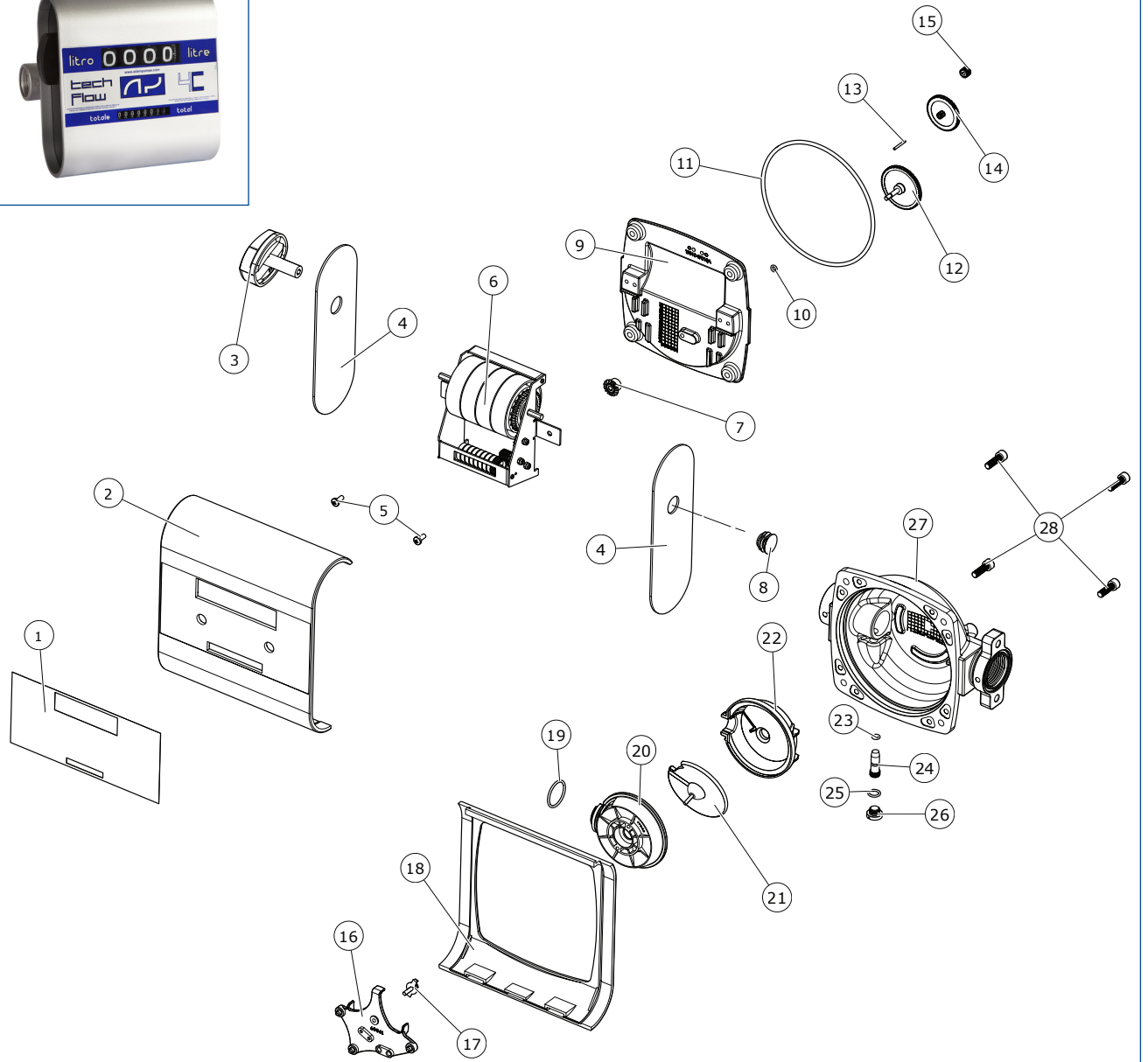
DRAWING N°: EXPL026E • ECN N°: - • REV.4 UPDATED-26/03/2012

LIST OF PART

POS.	DESCRIPTION	REF	QTY
1	FACEPLATE 4 DIGITS	MA014	1
2	COVER UPPER SIDE	TF013	1
3	RESET KNOB	TF012	1
4	COVER SIDE WITH HOLE	TF015	2
5	SCREW TC CROSS M4X8 TRILOBATE UNI8112	80901439100	2
6	REGISTER VICTOR 4 DIGITS	TF024	1
7	BEVEL GEAR VICTOR	TF027	1
8	RESET PLASTIC CAP	60302000	1
9	METER FLANGE 4 DIGITS	TF010A	1
10	O- RING 2015 NBR	11010040200	1
11	O- RING 4500 NBR	OR002	1
12	GEAR Ø45	TF007	1
13	PIN Ø2 X 17,8 G5	6051800000	1
14	DOUBLE GEAR Ø36	TF006	1
15	PIN WITH LEVER	TF008	1
16	CYLINDRICAL GEAR WHEEL	TF004	1
17	GEAR HOLDER	TF009	1
18	COVER LOWER SIDE	TF014	1
19	O- RING Ø24X2 NBR	OR001	1
20	LOWER MEASURING CHAMBER	TF002	1
21	REVOLVING DISK	TF001	1
22	UPPER MEASURING CHAMBER	TF003	1
23	O- RING 2018 NBR	11010050200	1
24	CALIBRATION SCREW	TF019	1
25	O- RING 108 NBR	11010100200	1
26	CALIBRATION CAP	TF018	1
27	BODY TECH FLOW METER	TF011	1
28	SCREW TCCE M6X20 TRILOBATE DIN 7500 E	VT001	4



→ FLOW METER T.FLOW 4C



DRAWING N°: EXPL027E • ECN N°: - • REV.1 UPDATED-27/03/2012



ADAM PUMPS ITALIA SPA

Via della Resistenza, 46/48
41011 Campogalliano (Modena) - Italy

Tel +39 059 528128
Fax +39 059 528437